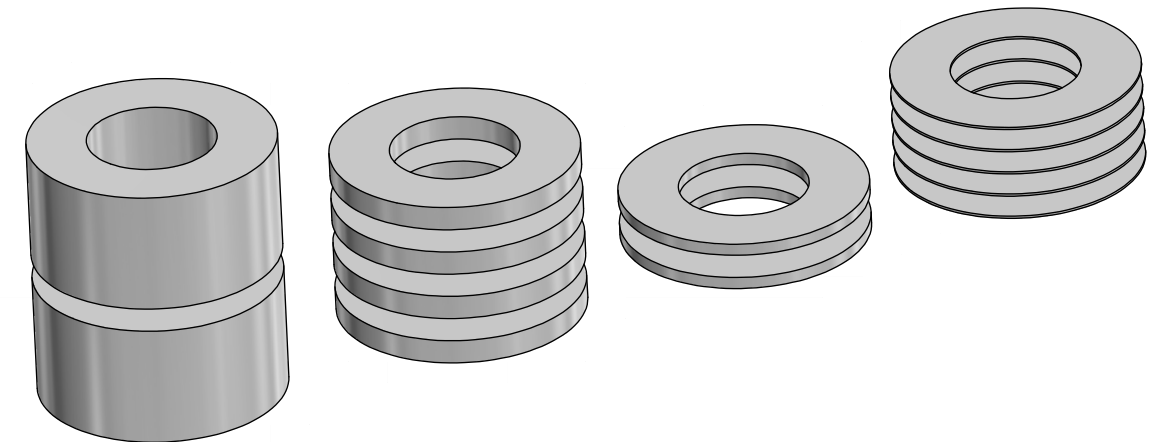
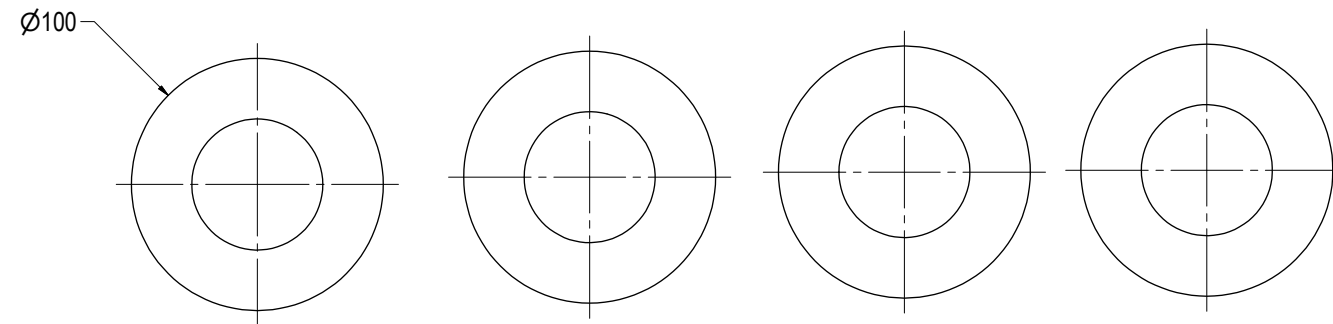
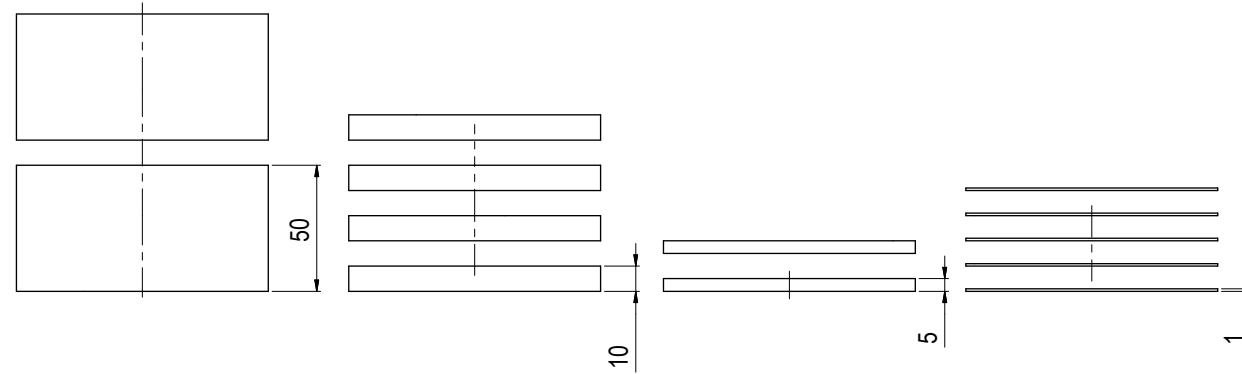


NOTE: 1
 DESIGN CODE:
 N/A

NOTE: 2
 TECHNICAL CLASSIFICATION:
 Article Type: 007-Valves
 Main Group: 7.0. Misc-Valves
 Intermediate Group: 7.67.00. Generic
 Sub Group: 7.67.292.0. Generic

NOTE: 3
 INTERFACE INFORMATION:
 Pressure Rating Bar: N/A
 Material: N/A
 Weight: 1,8 kg
 Volume: 888,2 cm³
 Surface Area: 2230 cm²
 Hydraulic: N/A
 Mechanical: N/A
 Electrical: N/A
 Com. & Protocol: N/A



Rev.	Date	Reason for issue	Revision change	Made	Chk'd	Appr.
01	13.6.2016	9-IFU (Issued for Use)		WTJ	EKJ	WTJ



Dwg Scale:
 NTS
 Dwg Proj:
 Dwg Format:
 A3

Drawing title:
 Shim Kit OD 100mm

Drawing number:
 BA8730

Rev.
 01